

# **PARTS MANUAL**

**Dish Drawer™**

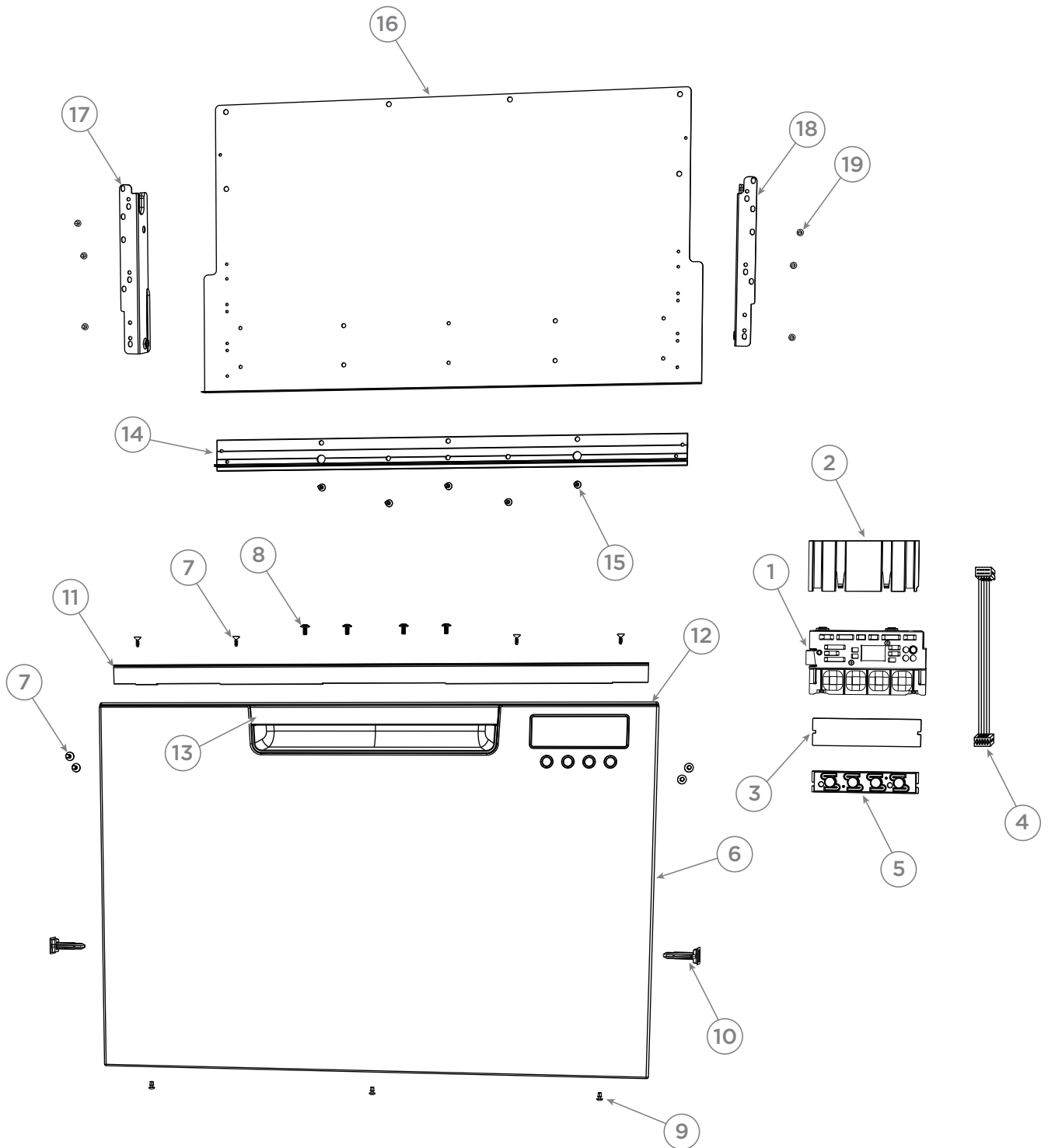
DD60SAX9 FP AA

Product Code  
**81080-A**

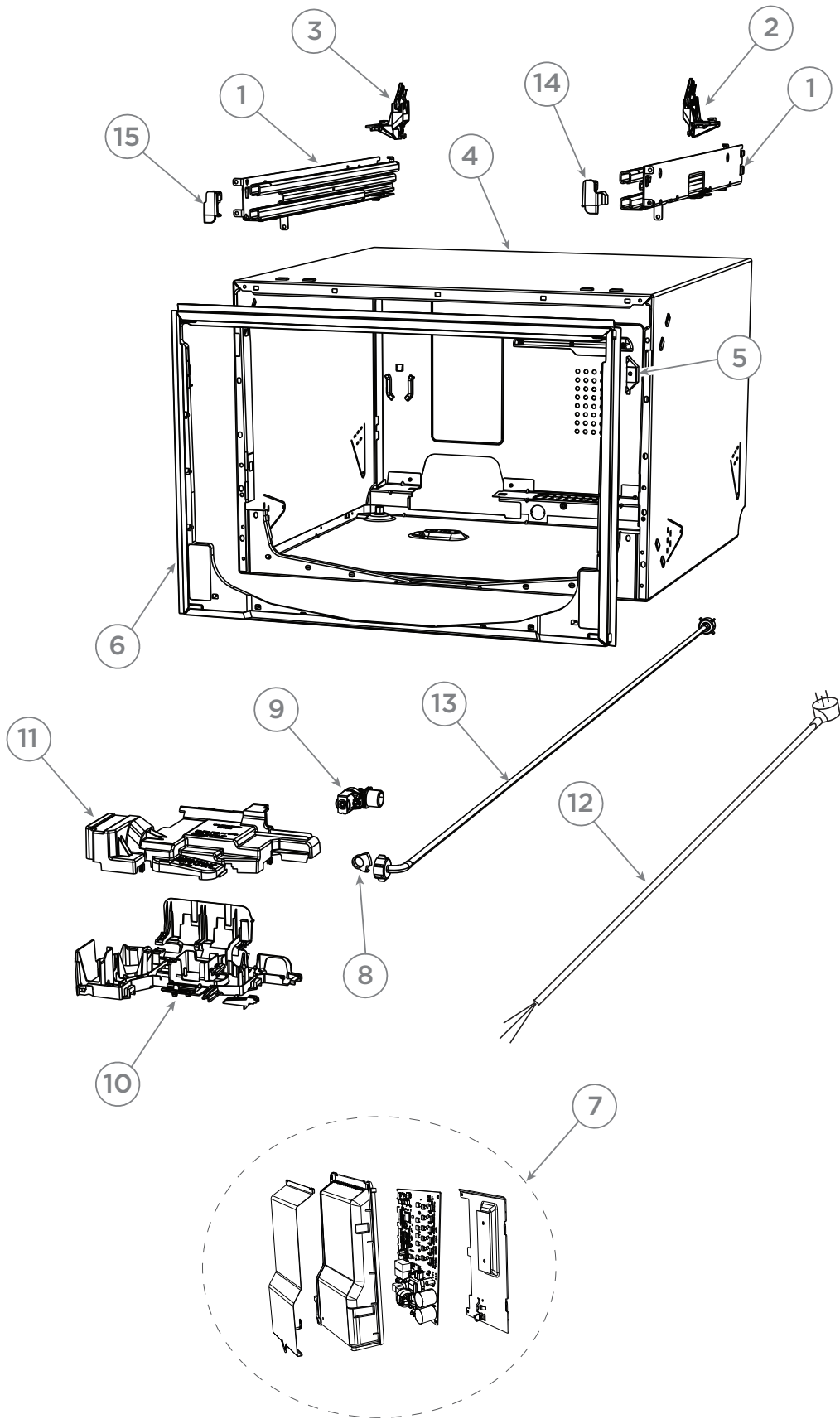
AA

***Fisher & Paykel***

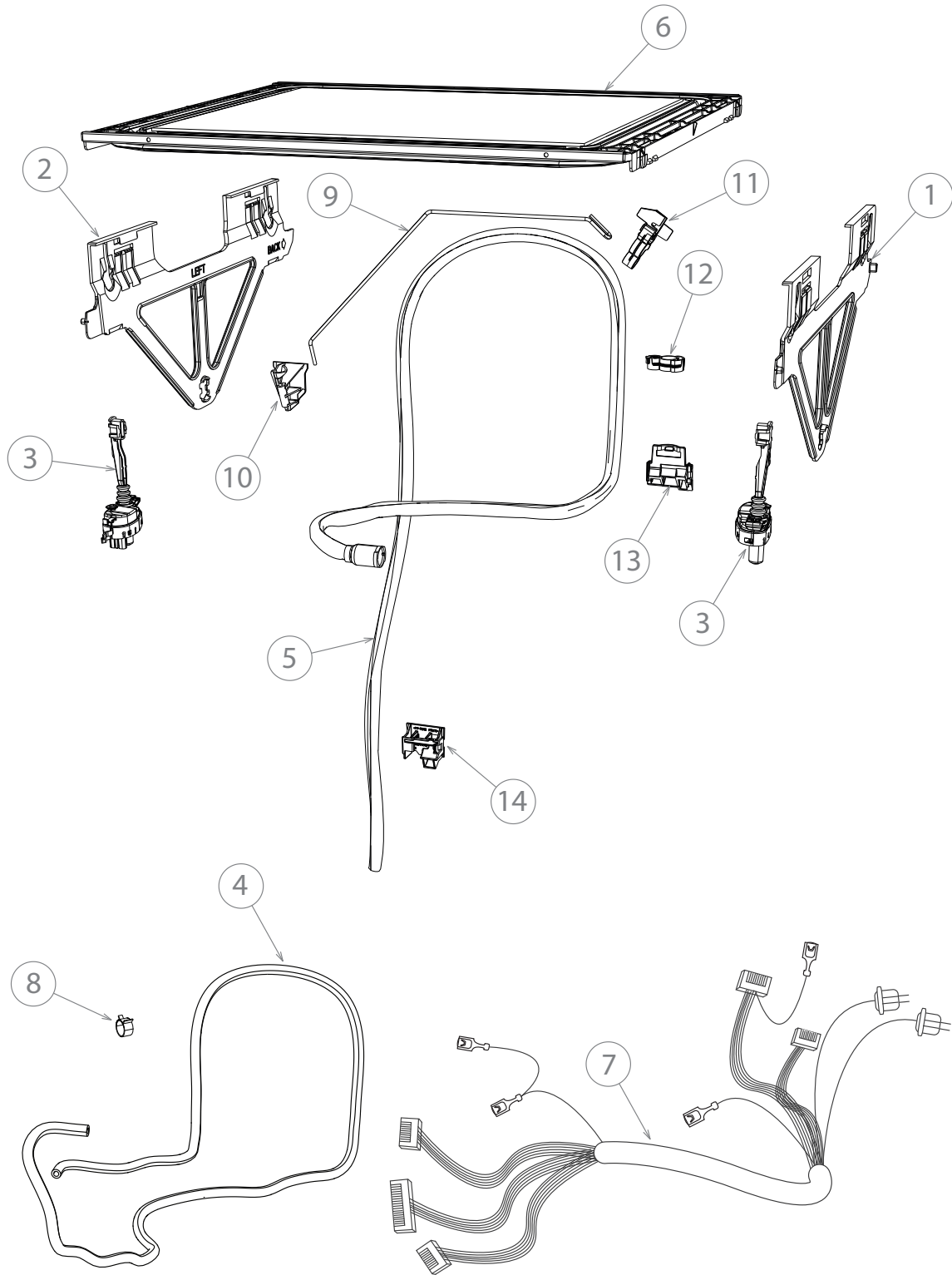
# FRONT PANELS/CONTROLS



# CABINET ASSEMBLY

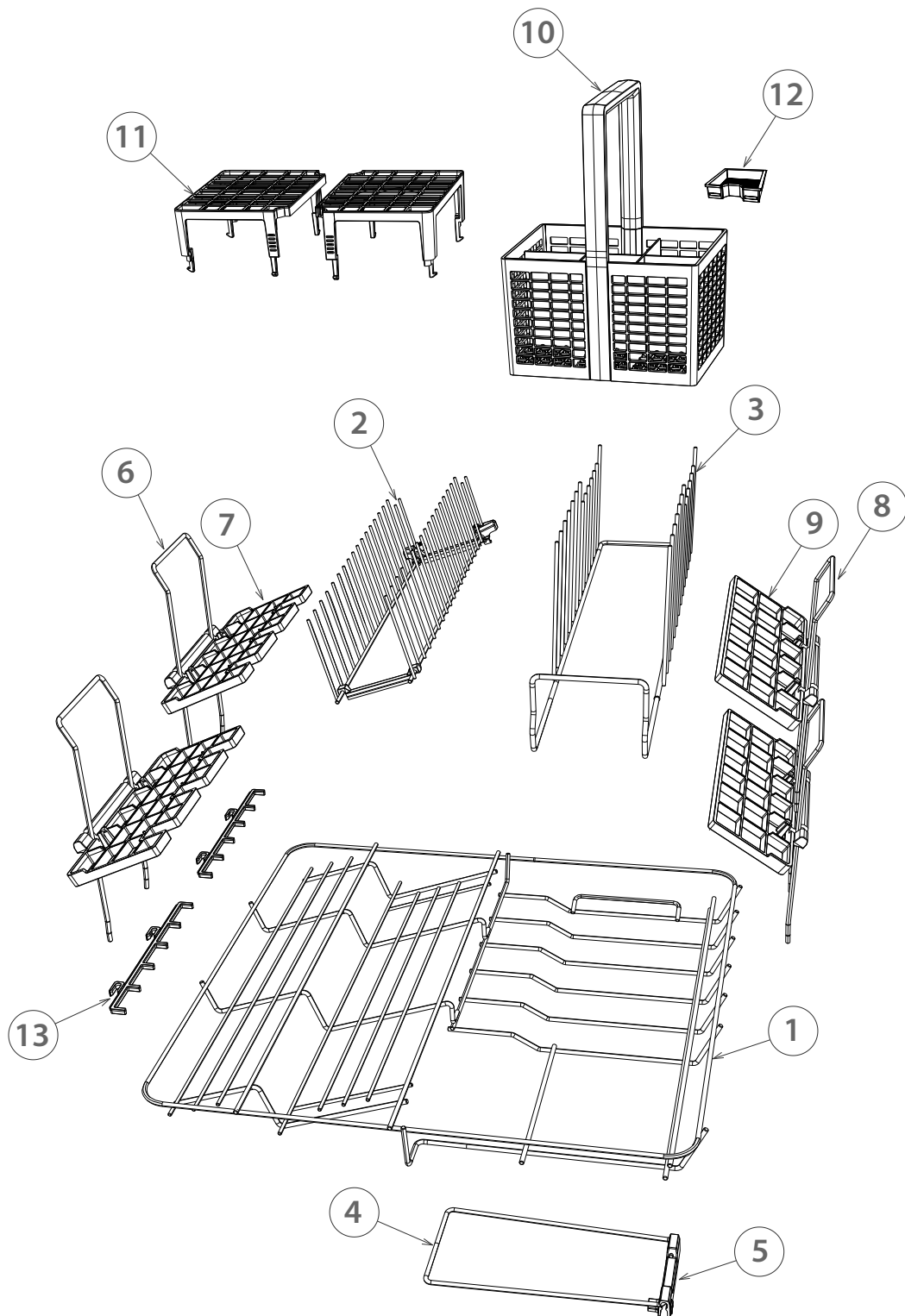


# LID & LINK ASSEMBLY





# BASKETS & RACKS



# INSTALLATION COMPONENTS

---

